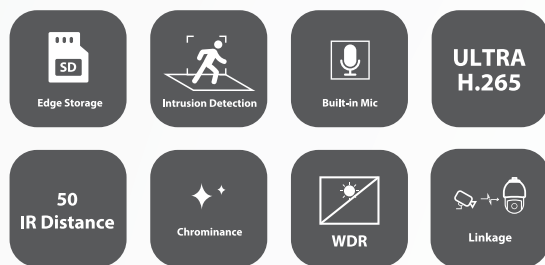


# TECHNICAL PRODUCT SHEET

## TDPTZ2MP4IRSTDA-M

### 2\*2MP Chrominance Dual-lens Network PTZ camera



## Features

- Fixed camera and PTZ camera integration, dual channels with one IP, look at overall situation and consider details at the same time ·
- High quality image with 2MP, 1/2.8" CMOS sensor
- 1920\*1080@25fps in the main stream
- Ultra 265, H.265, H.264, MJPEG
- 4X optical zoom of PTZ channel allows for closer viewing of subjects
- Smart intrusion prevention, support false alarm filtering, include Cross Line, Intrusion, Enter Area, Leave Area detection
- PTZ channel can be linked by fixed channel' smart intrusion prevention to track the objects triggering the rule
- Chrominance technology ensures ultra-high image quality in low illumination environment
- Up to 120 dB Optical WDR (Wide Dynamic Range)
- Built-in 2\*mic & high-power speaker, support two-way audio, has better sound performance
- Support ceiling mount and wall mount
- IR & warm light illumination to deal with different scenes and achieve full-color illumination
- DC12V or PoE+(IEEE 802.3at) power supply

# TDPTZ2MP4IRSTDA-M

## Technical Specification

Camera	Panorama	Detail			
Image Sensor	1/2.8", 2MP, CMOS				
Min. Illumination	Color:0.002 lux (F1.6, AGC ON) 0 lux with IR	Color:0.002 lux (F1.6, AGC ON) 0 lux with IR/Warm light			
Day/Night	IR-cut filter with auto switch (ICR)				
Shutter	Auto/Manual, 1 ~ 1/100000s				
WDR	120dB	DWDR			
S/N	52dB				
Lens					
Lens Type	2.8mm@F1.6	2.8mm~12mm@F1.6, AF automatic focusing and motorized zoom lens			
Optical Zoom	N/A	4X			
Iris	Fixed aperture				
Field of View (H)	102.4°	106.6°~30.6°			
Field of View (V)	54.9°	56.5°~17.4°			
Field of View (D)	133.1°	138.6°~37.6°			
DORI					
DORI Distance	Lens (mm)	Detect (m)	Observe (m)	Recognize (m)	Identify (m)
	2.8(Panorama)	43.4(142.5ft)	17.4(57ft)	8.7(28.5ft)	4.3(14.3ft)
	2.8(Detail)	43.4(142.5ft)	17.4(57ft)	8.7(28.5ft)	4.3(14.3ft)
	12(Detail)	162.9(534.6ft)	65.2(213.8ft)	32.6(106.9ft)	16.3(53.5ft)
Illuminator					
IR Range	Up to 10m (32.8ft)	Up to 50m (164ft)			
Warm Light Range	N/A	Up to 10m (32.8ft)			
Wavelength	850nm (IR)				
Light On/Off Control	Auto/Manual				
Video					
Video Compression	Ultra 265, H.265, H.264, MJPEG				
Frame Rate	Main Stream: 1080P (1920*1080),Max 25fps Sub Stream: 720P (1280*720), Max 25fps				
Video Bit Rate	128 Kbps~16 Mbps				
U-code	Support (Main stream)				
ROI	Up to 8 areas				
Video Stream	Dual streams				
OSD	Up to 4 OSDs				

# TDPTZ2MP4IRSTDA-M

Privacy Mask	24 areas, up to 4 areas per scene	
Image		
White Balance	Auto/Outdoor/Fine Tune/Sodium Lamp/Locked/Auto2	
Digital Noise Reduction	2D/3D DNR	
Smart IR	Support	
Flip	Normal/Flip Vertical/Flip Horizontal/180°	
HLC	Support	
BLC	Support	
Defog	Digital defog	
Intelligence		
Smart Intrusion Prevention	Support false alarm filtering: Cross line detection, Intrusion detection, Enter area detection, Leave area detection	
Linkage Function	Support, Triggered by fixed lens via smart intrusion prevention function to track target	
Events		
Basic Detection	Audio detection	
General Function	Watermark, IP Address Filtering, Access Policy, ARP Protection, RTSP Authentication, User Authentication	
Audio		
Audio Compression	G.711U, G.711A	
Audio Bitrate	64 Kbps	
Two-way Audio	Support	
Suppression	Support	
Sampling Rate	8 kHz	
Storage		
Edge Storage	Micro SD, up to 256 GB	
Network Storage	ANR,NAS(NFS)	
Network		
Protocols	IPv4, IGMP, ICMP, ARP, TCP, UDP, DHCP, PPPoE, RTP, RTSP, RTCP, DNS, DDNS, NTP, FTP, UPnP, HTTP, HTTPS, SMTP, 802.1x, SNMP, QoS, RTMP, SSL/TLS	
Compatible Integration	ONVIF (Profile S, Profile G), API, SDK	
User/Host	Up to 32 users. 3 user levels: administrator, operator and common user	
Security	Password protection, strong password, HTTPS encryption, Export operation logs, basic and digest authentication for RTSP, digest authentication for HTTP, TLS 1.2, WSSE and digest authentication for ONVIF	
Client	TDSS Guardian	
Web Browser	Plug-in required live view: IE 10 and above, Chrome 45 and above, Firefox 52 and above, Edge 79 and above	
Pan & Tilt		
Pan Range	N/A	0° ~ 345°
Pan Speed	N/A	1°/s ~ 40°/s
	Preset speed: N/A	Preset speed: 40°/s

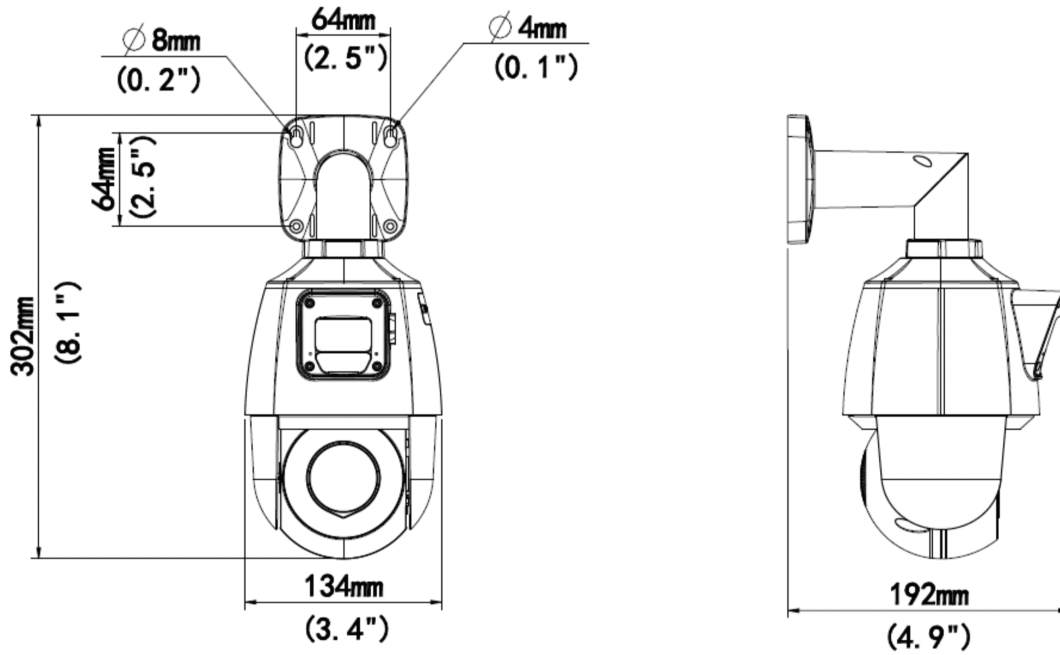
# TDPTZ2MP4IRSTDA-M

Tilt Range	18° ± 5°	-10° ~ 100°
Tilt Speed	N/A	1°/s ~ 50°/s
	Preset speed: N/A	Preset speed: 50°/s
Number of Presets	256	
Preset Patrol	16 patrol routes, up to 64 presets for each route	
Patrol Stay Time	1000s~1800s	
Preset Image Freeze	N/A	
Home Position	Support	
Interface		
Audio I/O	N/A	
Alarm I/O	N/A	
Serial Port	N/A	
Built-in Mic	Support (Mic*2)	
Built-in Speaker	Support	
Wi-Fi	N/A	
Network	1 * RJ45 10M/100M Base-TX Ethernet	
Video Output	N/A	
Certification		
EMC	CE-EMC (EN55032:2015; EN55024:2010+A1:2015; EN61000-3-2:2014; EN61000-3-3:2013) FCC (FCC CFR 47 part15 B, ANSI C63.4-2014)	
Safety	CE LVD (EN 62368-1:2014+A11:2017; EN 62368-1:2014) CB (IEC 62368-1:2014) UL (UL 62368-1, 2nd Ed., Issue Date: 2014-12-01)	
Environment	CE-ROHS (2011/65/EU)	
General		
Power	DC12V, PoE+(IEEE 802.3at)	
	Power consumption: MAX 16W	
Power Interface	Ø 5.5mm coaxial power plug	
Dimensions (Ø x H)	Wall Mount: Φ134 x 192 x 302mm (Φ5.3" x 7.6" x 11.9") Ceiling Mount: Φ134 x 154 x 363mm (Φ5.3" x 6.1" x 14.3")	
Weight	1.03kg (2.27lb)	
Working Environment	-20°C ~ 60°C(-4°F ~ 140°F) Humidity: ≤95% RH (non-condensing)	
Storage Environment	-30°C ~ 70°C(-22°F ~ 158°F) Humidity: ≤95% RH (non-condensing)	
Surge Protection	2KV	
Reset Button	Support	

# TDPTZ2MP4IRSTDA-M

## Dimensions (mm)

### Wall Mount



### Ceiling Mount

